

# Technical data sheet

Roof conductor holder for ridge tiles, 185–260 mm, Rd  
8–10, A2  
Item number: 5202515



132/...: Roof conductor holder for ridge tiles

- Adjustable width from 185-260 mm
- Bottom part made of non-rusting stainless steel (V2A) or of copper
- Infinitely adjustable conductor holder
- Conductor holder of polyamide
- For round conductor Rd 8-10
- Fast installation using wing screw

**A2** Stainless steel

## Master data

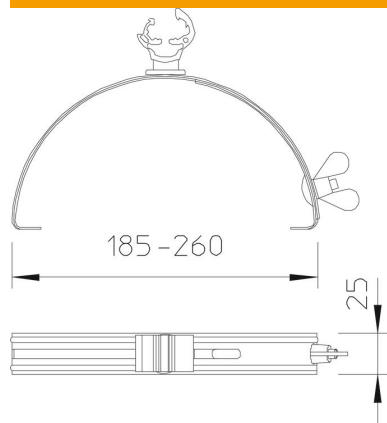
Item number	5202515
Description 1	Roof conductor holder
Manufacturer	OBO
Dimension	8mm
Material	Stainless steel
Smallest sales unit	20
Unit of quantity	Piece
Weight	10.9 kg
Weight unit	kg/100 pc.

# Technical data sheet

Roof conductor holder for ridge tiles, 185–260 mm, Rd 8–10, A2  
Item number: 5202515



## Dimensions



## Technical data

Application	Ridge
Conductor fastening type	With clamp clip
Conductor diameter, max.	10
Conductor diameter, min.	8
Mounting type	Tensionable
Mounting height	20 mm
Fit	Rd 8-10 mm
Clamping range D, max.	260 mm
Clamping range D, min.	185 mm
Material of the holder	Plastic
Material of the support	Rustproof steel (V2A)