

# Technical data sheet

## Quick pipe connecting sleeve, light grey

Item number: 2154087



Connection sleeve for plastic electrical installation pipes to create straight connections. Suitable for Quick pipe pipes or corrugated pipes. Toolless closing and opening. Can be used in a temperature range of -25 to +60 °C.



**PP** Polypropylene

### Master data

Item number	2154087
Type	3000 MMS M32 LGR
Description 1	Quick pipe connecting sleeve
Manufacturer	OBO
Dimension	M32
Colour	Light grey; RAL 7035
Material	Polypropylene
Smallest sales unit	10
Unit of quantity	Piece
Weight	1.095 kg
Weight unit	kg/100 pc.
CO Footprint (GWP) Cradle-to-Gate	0,0585 kg COe / 1 Piece

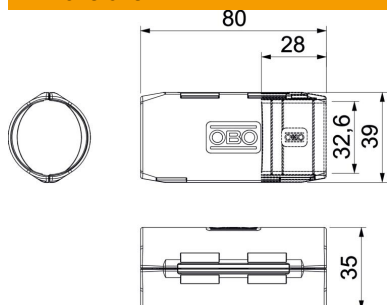
# Technical data sheet

Quick pipe connecting sleeve, light grey

Item number: 2154087



## Dimensions



Dimension B	39 mm
Dimension d	32.6 mm
Dimension L	80 mm
Dimension L1	28 mm

## Technical data

Size	M32
Halogen-free	yes
Polished surface	no
Permitted temperature range, max.	60 °C
Permitted temperature range, min.	0 °C