

# Technical data sheet

## Tilting anchor

Item number: 3482014



Two washers and two hexagonal nuts, with threaded shank.



- St** Steel
- G** Electrogalvanized

### Master data

Item number	3482014
Description 1	Tilting anchors
Manufacturer	OBO
Dimension	M6x100mm
Material	Steel
Surface	Electrogalvanized
Surface standard	EN ISO 19598 / EN ISO 4042
Smallest sales unit	50
Unit of quantity	Piece
Weight	5.25 kg
Weight unit	kg/100 pc.

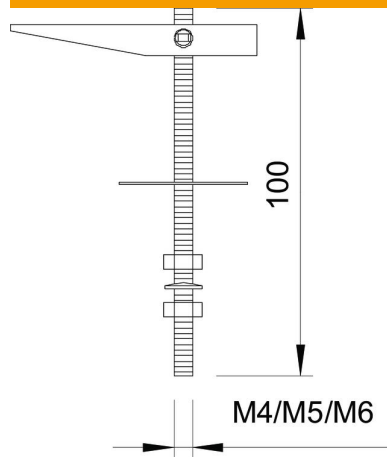
# Technical data sheet

## Tilting anchor

Item number: 3482014



### Dimensions



Length 100 mm

### Technical data

Version for	With threaded shaft
Drill hole	16 mm
Drill hole diameter, min.	16 mm
Breaking load	0.7 kN
Thread	M6
Thread type	Metric
With washer	yes
Protection ring for ceramics	no