

Technical data sheet

Spacer for flat conductor, with steel spreading anchor Ø 10

Item number: 5028035



- Fit: FL 30 and FL 40
- With steel straddling dowel Ø 10 mm, spacer and 2 cylinder bolts M5 x 14 (G)

- St** Steel
- G** Electrogalvanized

Master data

Item number	5028035
Description 1	Spacer
Description 2	for earth conductor
Manufacturer	OBO
Dimension	30mm
Material	Steel
Surface	Electrogalvanized
Surface standard	EN ISO 19598 / EN ISO 4042
Smallest sales unit	25
Unit of quantity	Piece
Weight	5.044 kg
Weight unit	kg/100 pc.

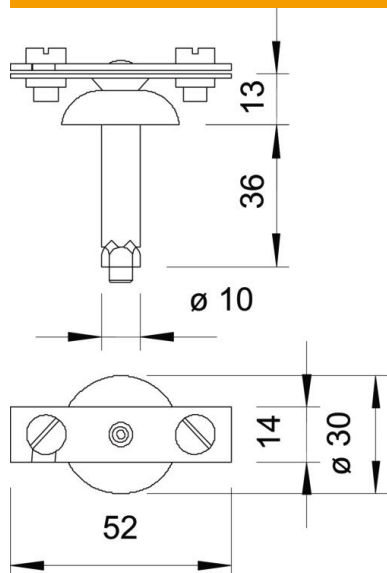
Technical data sheet

Spacer for flat conductor, with steel spreading anchor $\varnothing 10$

Item number: 5028035



Dimensions



Dimension B	52 mm
-------------	-------

Technical data

Type of accessory	Spacer
Fit	max. FL30 mm