

Technical data sheet

Setting tool for impact tie

Item number: 3492948



Setting tool for the manual driving in of impact tie, type EA II, into walls and ceilings. With ergonomic plastic handle and hand guard.

CE

Master data

Item number	3492948
Type	EHS M8x40 Plus
Description 1	Setting tool
Description 2	for drop-in anchor EA II
Manufacturer	OBO
Dimension	8x40
Colour	Red
Smallest sales unit	1
Unit of quantity	Piece
Weight	50.4 kg
Weight unit	kg/100 pc.

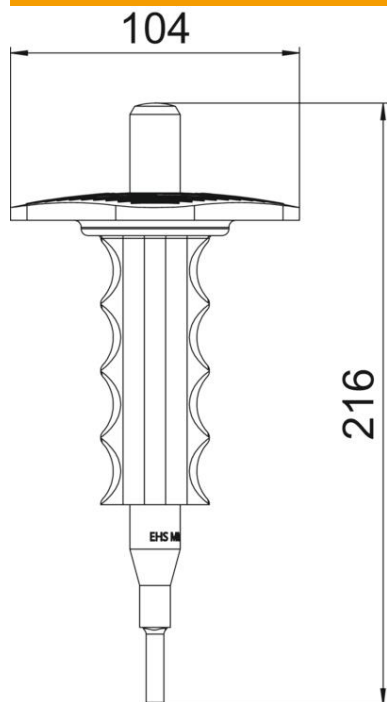
Technical data sheet

Setting tool for impact tie

Item number: 3492948



Dimensions



Technical data

Suitable for metric thread dimension	8
Thread	M8
With hand protection	yes