

# Technical data sheet

Service outlet with tube body with handle clamp, GES R2,  
nickel

Item number: 7408860



Service outlet with tube body and handle clamp for GES R2 floor socket for direct installation in the MT R2 installation socket for indoor use.

The tube body fulfils the requirements of EN 50085-2-2 for wet-cleaned floors, also when in use.



**Zn** Die-cast zinc

**N** Nickel-plated

## Master data

Item number	7408860
Type	GES R2T Ni
Description 1	Floor socket
Description 2	with tube
Manufacturer	OBO
Material	Die-cast zinc
Surface	Nickel-plated
Surface standard	
Smallest sales unit	1
Unit of quantity	Piece
Weight	100.612 kg
Weight unit	kg/100 pc.
CO2 Footprint (GWP) Cradle-to-Gate	2,911 kg CO2e / 1 Piece

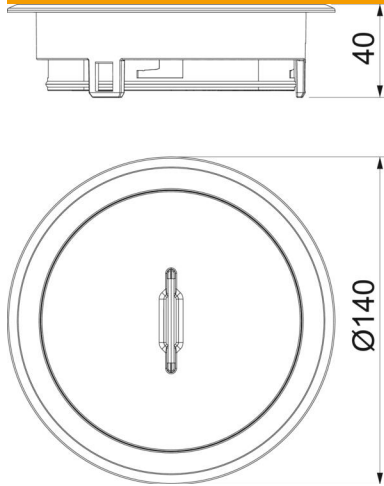
# Technical data sheet

Service outlet with tube body with handle clamp, GES R2,  
nickel

Item number: 7408860



## Dimensions



## Technical data

Version for	Round
Cable outlet version	Lowerable tube body
Floor covering protection frame	yes
Floor care	Wet
Suitable for raised floor installation	yes
Suitable for cavity floor installation	yes
Suitable for wet care	yes
Suitable for underfloor ducts	no
With floor covering recess	no
Standard	EN 50085-2-2
Protection rating (IP) when used	IP20
Protection rating (IP) when unused	IP66
Protection rating IK code	IK10
Vertical load, large area	to 15,000 N
Vertical load, small area	to 3,000 N
Approvals	VDE
Opening mechanism	Handle