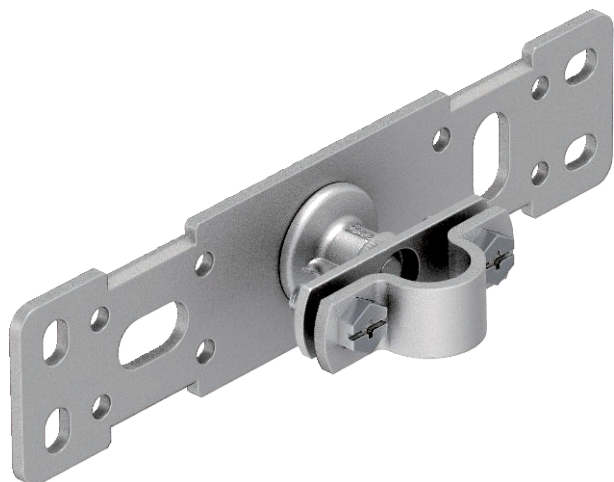


# Technical data sheet

## Fastening plate

Item no. 5408984

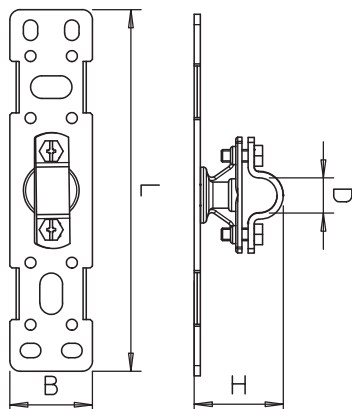


- To mount insulating rods on constructions or walls
- Plate made of VA stainless steel
- Holder and crosspiece for 16 and 20 mm rods and Rd 8-10 mm

### Master data

Item no.	5408984
Type	101 BP-16
Description 1	Iso-Combi
Description 2	fastening plate
Dimension	175x40x42
Smallest sales unit (VG)	1 Piece
Weight	21,20 kg/100 pc.

### Technical data



Length	175,00 mm
Dimension B	40,00 mm
Dimension D	16,00 Ø mm
Dimension H	42,00 mm
Dimension L	175,00 mm
Connection	Round conductor
Earthing and lightning protection version	Other