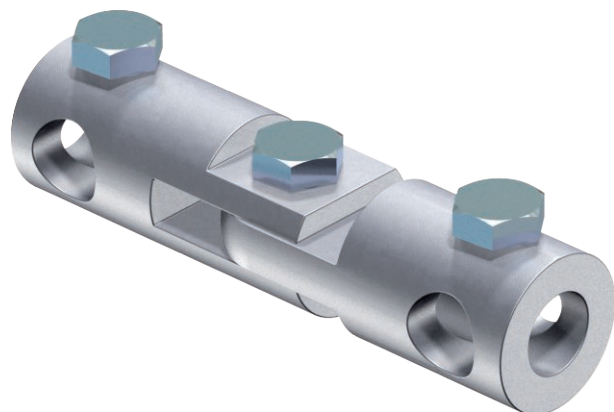


Technical data sheet

Articulated connector

Item no. 5408630



101/IW-M10: Wall connection

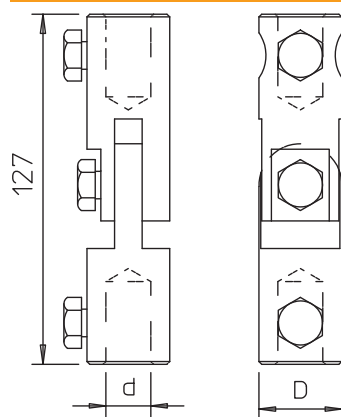
- With M8 internal thread
- To mount insulating rod on structures or walls
- With M10 x 12 bolts

Alu Aluminium

Master data

Item no.	5408630
Type	101 IGL-16
Description 1	Adjustable connector
Description 2	for 16 mm GFK rods
Dimension	16mm
Material	Aluminium
Material symbol	Alu
Smallest sales unit (VG)	10 Piece
Weight	32,00 kg/100 pc.

Technical data



Length	127,00 mm
Dimension D	30,00 Ø mm
Dimension D Ø	16,00 mm
Dimension L	127,00 mm
Connection	Round conductor
Earthing and lightning protection version	Other