

Technical data sheet

Multi adapter

Item no. 5408996



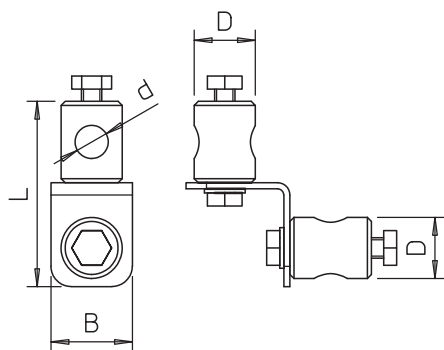
- Connector for two GFK rods
- Dimension D Ø: 16 mm

VA Stainless steel, rustproof 1.4301

Master data

Item no.	5408996
Type	101 MA-16
Description 1	Iso-Combi
Description 2	Multi adapter
Dimension	150x90x25
Material	Stainless steel, material no. 1.4301
Material symbol	A2
Smallest sales unit (VG)	1 Piece
Weight	36,28 kg/100 pc.

Technical data



Dimension B	40,00 mm
Dimension D	30,00 Ø mm
Dimension D Ø	16,00 mm
Dimension L	91,00 mm