

# Technical data sheet

## Pipe fastening

Item no. 5408994



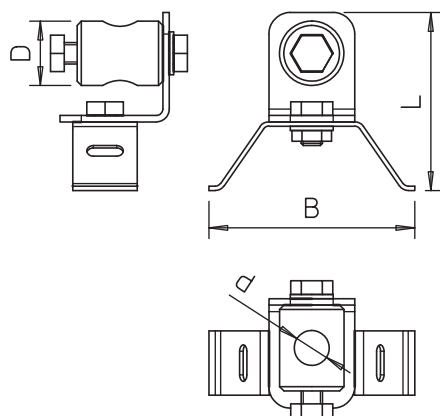
- For pipe fastening of a GRP rod using a tightening strap
- Slot width (l x w) 17 x 6 mm

**VA** Stainless steel, rustproof 1.4301

### Master data

Item no.	5408994
Type	101 R-16
Description 1	Iso-Combi
Description 2	pipe fastening
Dimension	200x140x40
Material	Stainless steel, material no. 1.4301
Material symbol	A2
Smallest sales unit (VG)	1 Piece
Weight	26,83 kg/100 pc.

### Technical data



Dimension B	96,00 mm
Dimension D	30,00 Ø mm
Dimension D Ø	16,00 mm
Dimension L	81,00 mm