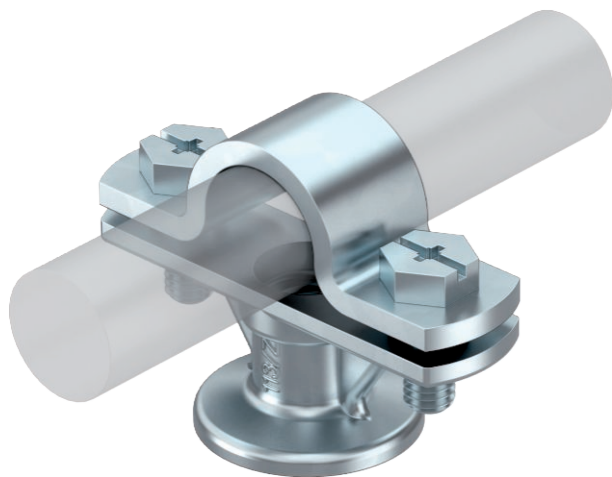


Technical data sheet

Rod holder, 20 mm

Item no. 5230527



- Installed with over-piece and hex-head screws M6 x 16
- With female thread M8 or through hole \varnothing 7 mm

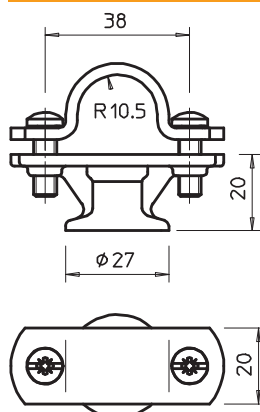
Zn Die-cast zinc

Galvanised

Master data

| | |
|--------------------------|--------------------|
| Item no. | 5230527 |
| Type | 113 Z-20 |
| Description 1 | Holder |
| Description 2 | for insulating rod |
| Dimension | 20mm |
| Material | Die-cast zinc |
| Material symbol | Zn |
| Surface | Galvanised |
| Surface symbol | VZ |
| Smallest sales unit (VG) | 20 Piece |
| Weight | 8,20 kg/100 pc. |

Technical data



| | |
|-----------------------|--------------------------|
| Rod fastening type | With screw clip |
| Holder fastening type | Drill hole with M thread |
| Thread size M | 8 |
| Fit | Rd 20 mm |