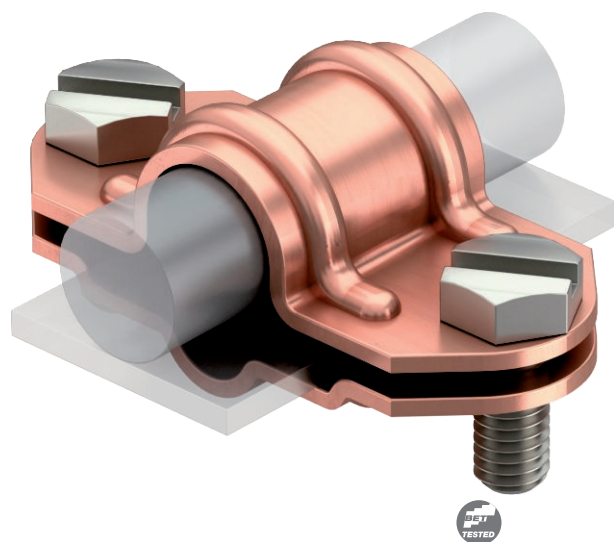


Technical data sheet

Universal separating piece

Item no. 5336023



- For fitting round conductors Rd 8–10 to Rd 16 or flat conductors FL30
- Including 2 hexagonal bolts M8 x 20 high-grade stainless steel (V2A)
- Conforms to the requirements according to VDE 0185-305 (IEC 62305)

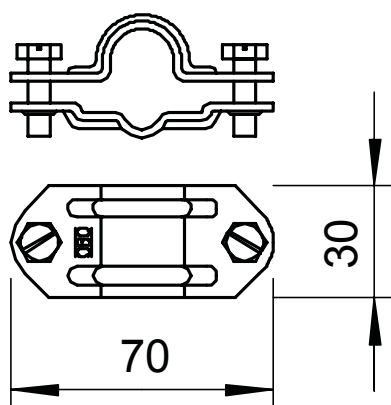


Cu Copper

Master data

Item no.	5336023
Type	226 CU
Description 1	Separating piece
Dimension	8-10mm
Material	Copper
Material symbol	Cu
Smallest sales unit (VG)	10 Piece
Weight	9,70 kg/100 pc.

Technical data



Suitable for connection	Other
Fit	Rd 8-10/FL30 x 16 mm
Bimetal connector	<input type="checkbox"/>
Intermediate plate	<input type="checkbox"/>