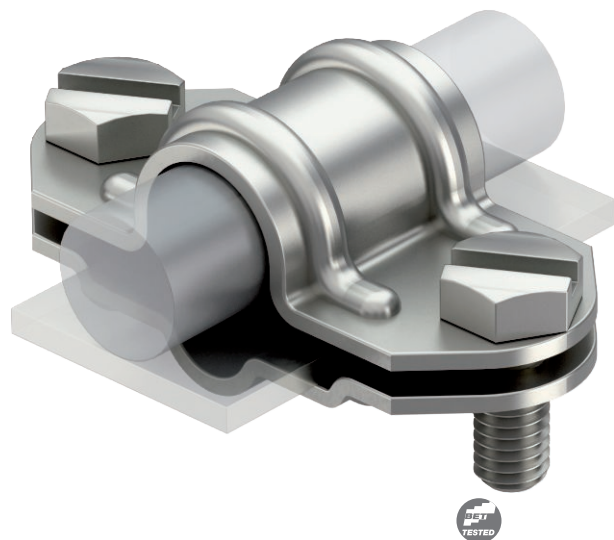


# Technical data sheet

## Universal separating piece

Item no. 5336058



- For fitting round conductors Rd 8–10 to Rd 16 or flat conductors FL30
- Including 2 hexagonal bolts M8 x 20 high-grade stainless steel (V2A)
- Conforms to the requirements according to VDE 0185-305 (IEC 62305)

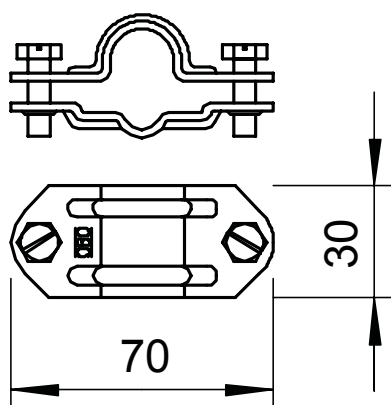


VA Stainless steel, rustproof 1.4301

### Master data

Item no.	5336058
Type	226 VA
Description 1	Separating piece
Dimension	8-10mm
Material	Stainless steel, material no. 1.4301
Material symbol	A2
Smallest sales unit (VG)	10 Piece
Weight	8,70 kg/100 pc.

### Technical data



Suitable for connection	Other
Fit	Rd 8-10/FL30 x 16 mm
Bimetal connector	<input type="checkbox"/>
Intermediate plate	<input type="checkbox"/>