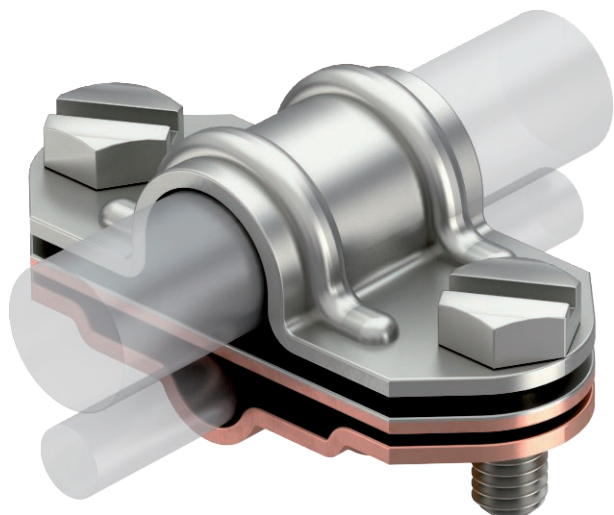


Technical data sheet

Universal bi-metal separating piece

Item no. 5336074



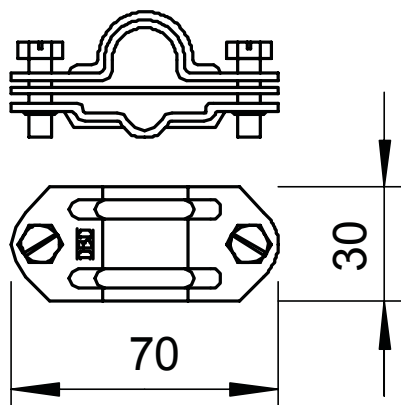
- Fit: Rd 8-10 x 16, FL 30 x Rd 16
- With 2 hexagonal bolts M8 x 20, stainless steel (VA)
- Intermediate plate, aluminium/copper

Cu Copper

Master data

Item no.	5336074
Type	226 ZV VA
Description 1	Separating piece
Description 2	bimetal
Dimension	FL30/8-10x16
Material	Copper
Material symbol	Cu
Smallest sales unit (VG)	10 Piece
Weight	11,00 kg/100 pc.

Technical data



Suitable for connection	Round conductor Rd 16 / flat conductor FI 30
Fit	Rd 8-10/FL30 x 16 mm
Material lower part	Cu
Material upper part	VA
Bimetal connector	<input checked="" type="checkbox"/>
Intermediate plate	<input checked="" type="checkbox"/>