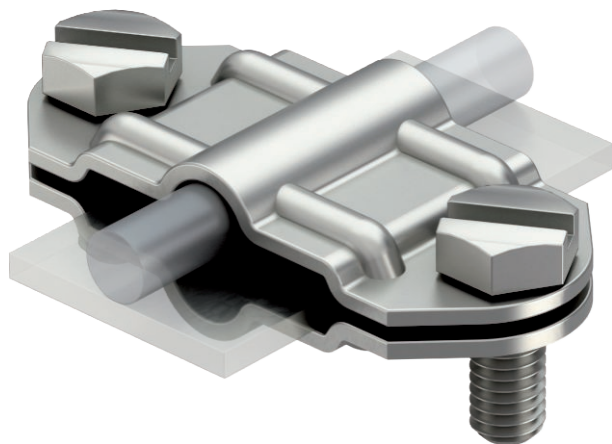


# Technical data sheet

## Separating piece for Rd 8–10 and FL 30 mm

Item no. 5336341



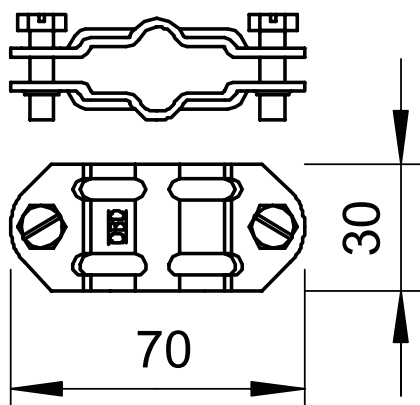
- For fitting round conductors Rd 8-10 or flat conductors FL 30
- With 2 hexagonal bolts M8 x 20, stainless steel (VA)

**VA** Stainless steel, rustproof 1.4301

### Master data

Item no.	5336341
Type	233 VA
Description 1	Separating piece
Dimension	8-10mm
Material	Stainless steel, material no. 1.4301
Material symbol	A2
Smallest sales unit (VG)	10 Piece
Weight	8,30 kg/100 pc.

### Technical data



Suitable for connection	Other
Fit	Rd 8-10/FL30 x Rd 8-10/FL30 mm
Bimetal connector	<input type="checkbox"/>