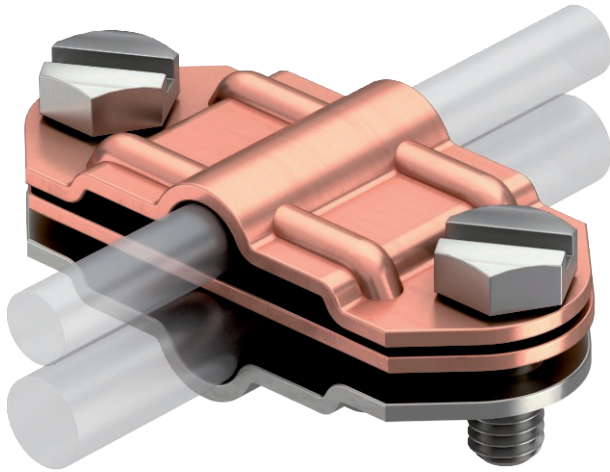


Technical data sheet

Bi-metal separating piece for Rd 8–10 and FL 30 mm

Item no. 5336376



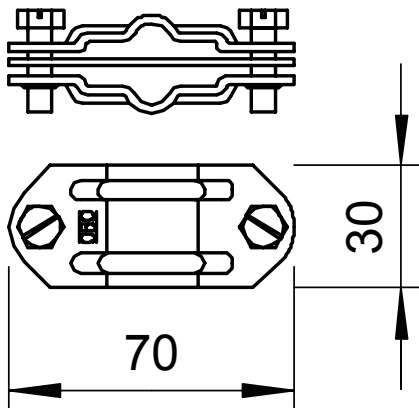
- For fitting round conductors Rd 8-10 to flat conductors FL 30
- With 2 hexagonal bolts M8 x 20, stainless steel (VA)
- Intermediate plate aluminium/copper, top section copper, bottom section stainless steel

VA Stainless steel, rustproof 1.4301

Master data

Item no.	5336376
Type	233 ZV
Description 1	Separating piece
Description 2	bimetal connector
Dimension	FL/RdxFL/Rd
Material	Stainless steel, material no. 1.4301
Material symbol	A2
Smallest sales unit (VG)	10 Piece
Weight	10,10 kg/100 pc.

Technical data



Suitable for connection	Other
Fit	Rd 8-10/FL30 x Rd 8-10/FL30 mm
Material lower part	VA
Material upper part	Cu
Bimetal connector	<input checked="" type="checkbox"/>
Intermediate plate	<input checked="" type="checkbox"/>