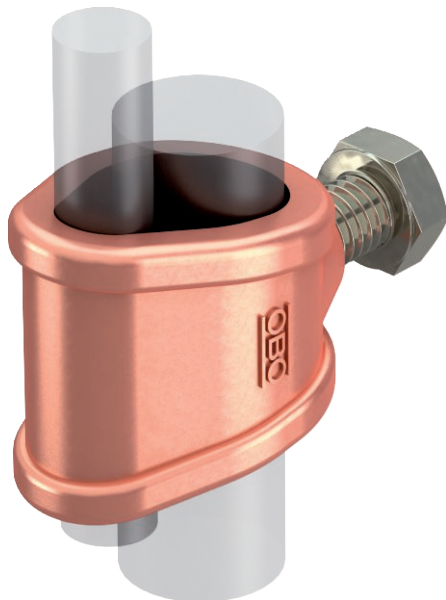


Technical data sheet

Connection clamp for earth rod or cables

Item no. 5001560



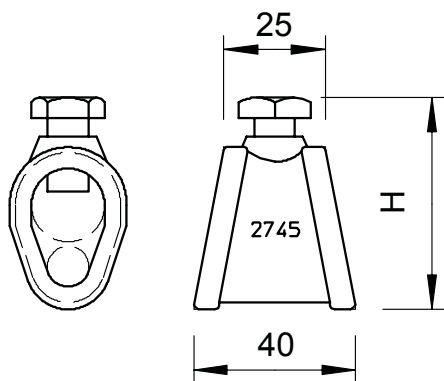
- For earth rods \varnothing 20 or conductors of 95 mm²
- For round conductor attachments Rd 7-12.5 with hexagonal bolts M10 x 25

CuZn 37	Brass
Cu	Copper-plated

Master data

Item no.	5001560
Type	2745 20 MS
Description 1	Connection sleeve
Description 2	for OMEX 218+219
Dimension	20mm
Material	Brass
Material symbol	CuZn
Surface	Copper-plated
Surface symbol	Cu
Smallest sales unit (VG)	5 Piece
Weight	16,00 kg/100 pc.

Technical data



Shape	Connection sleeve
for earth rods	20,00 \varnothing mm
Fit	7-12,5/S95 mm ² mm
Intermediate plate	<input type="checkbox"/>