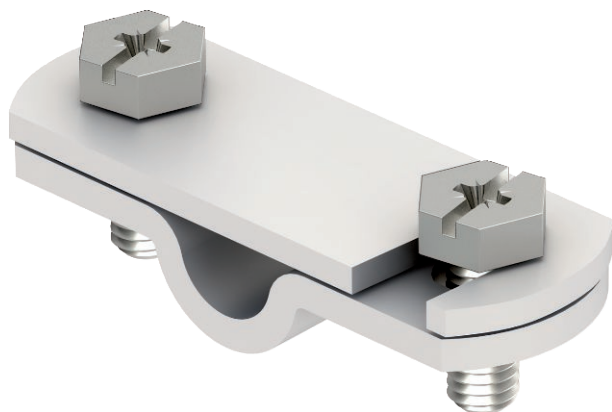


Technical data sheet

Number plates

Item no. 3049256

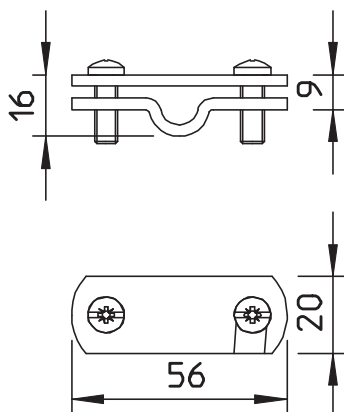


- To identify the point of separation to DIN 48821
- Suitable for universal labelling (e.g. stamped numbers)

Master data

Item no.	3049256
Type	311 N-ALU 8-10
Description 1	Number sign
Description 2	for separation points
Dimension	8-10mm
Smallest sales unit (VG)	5 Piece
Weight	2,50 kg/100 pc.

Technical data



Type of accessory	Labelling panel
Fit	RD 8 - 10 / FL30 mm