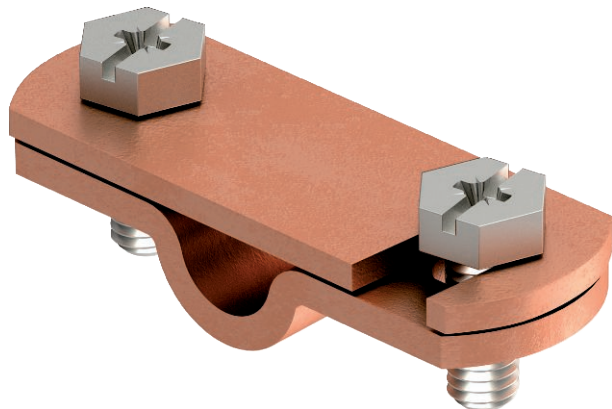


Technical data sheet

Number plates

Item no. 3049205



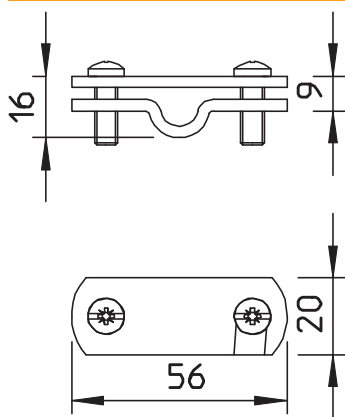
- To identify the point of separation to DIN 48821
- Suitable for universal labelling (e.g. stamped numbers)

Cu Copper

Master data

Item no.	3049205
Type	311 N-CU 8-10
Description 1	Number sign
Description 2	for separation points
Dimension	8-10mm
Material	Copper
Material symbol	Cu
Smallest sales unit (VG)	5 Piece
Weight	6,40 kg/100 pc.

Technical data



Type of accessory	Labelling panel
Fit	RD 8 -10 / FL30 mm