

Technical data sheet

Inspection pit with integrated separation piece

Item no. 5106003



- Without base
- Cast iron, painted black
- With built-in cut-off unit for round conductors Rd 8-10 and flat conductors to FL 40
- To VDE 0185-561-5 (IEC 62561-5) suitable for heavy loads (up to 40 kN/ 4.0 t)

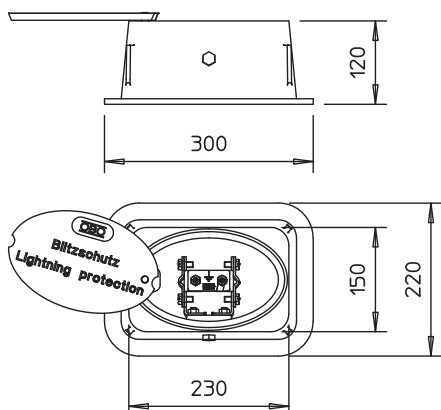


Cast iron

Master data

Item no.	5106003
Type	5700 SP
Description 1	Inspection pit
Description 2	without cut-off unit
Dimension	227x155x115
Colour	Black
Material	Cast iron
Material symbol	EN-GJL
Smallest sales unit (VG)	1 Piece
Weight	770,00 kg/100 pc.

Technical data



Type of accessory	Test box
Fit	RD 8-10 x FL 30-40 mm