

Technical data sheet

Insulated spacer

Item no. 5408806



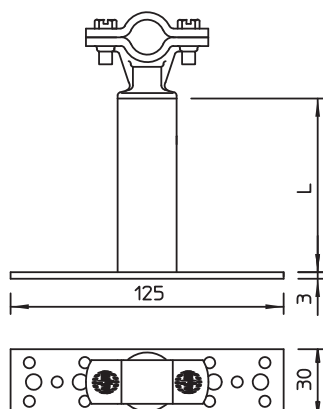
- Mounting foot with 10 connection holes \varnothing 6.5 mm and 4 connection holes \varnothing 8.5 mm
- Type ...150 8 with holder suitable for round conductor RD 8
- Application for shelters, e.g. golf, barbecue or mountain huts

Alu Aluminium

Master data

Item no.	5408806
Type	ISO-A-500
Description 1	ISO spacer
Description 2	with fastening
Dimension	500mm
Material	Aluminium
Material symbol	Alu
Smallest sales unit (VG)	1 Piece
Weight	36,00 kg/100 pc.

Technical data



Length	500,00 mm
Dimension L	500,00 mm
Fit	Rd 16 mm